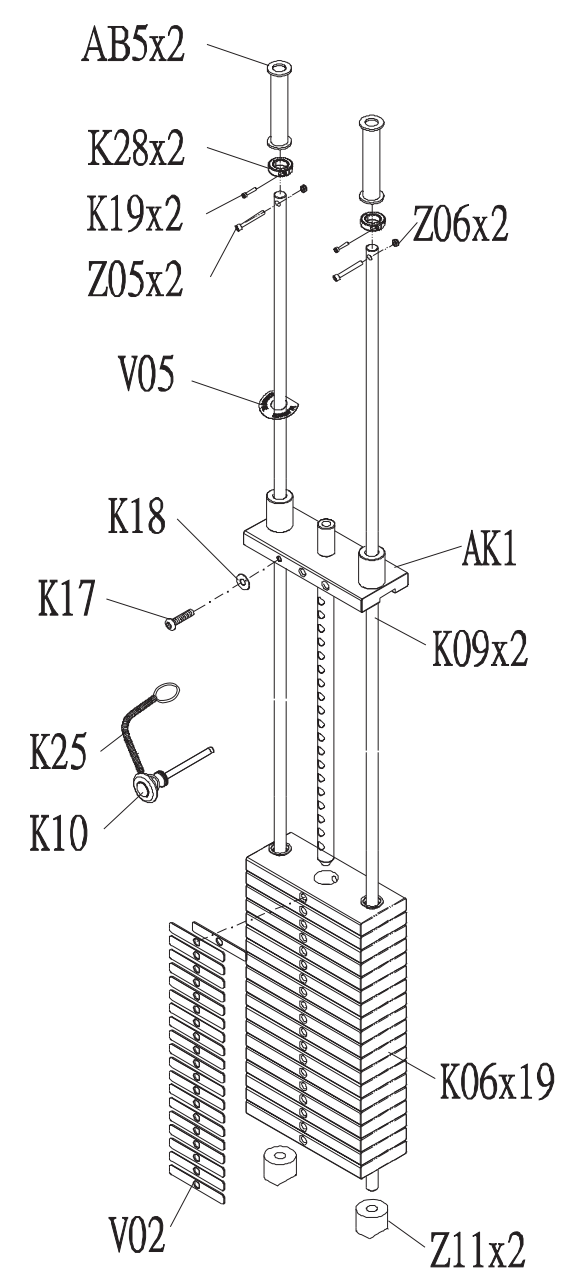
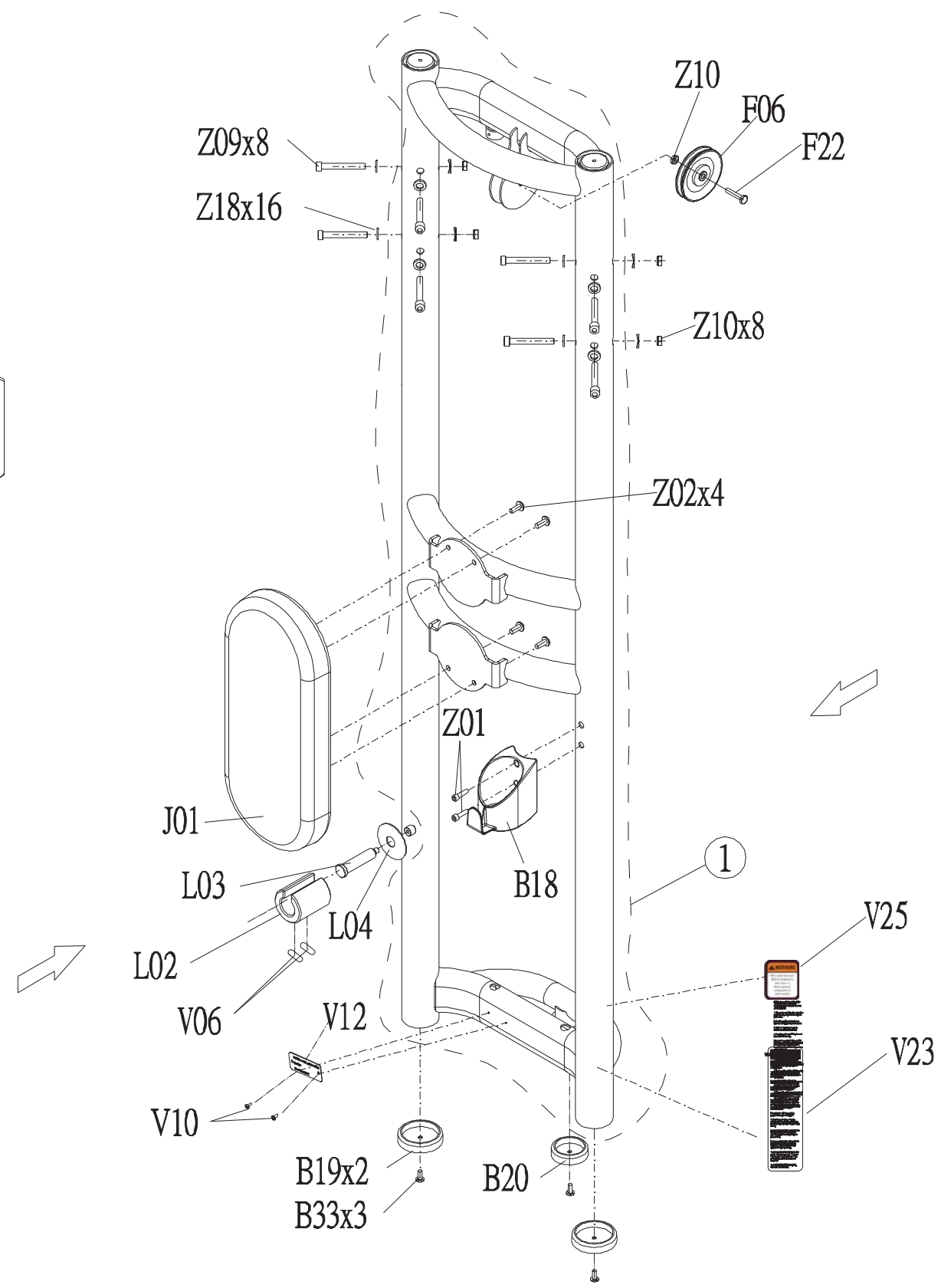
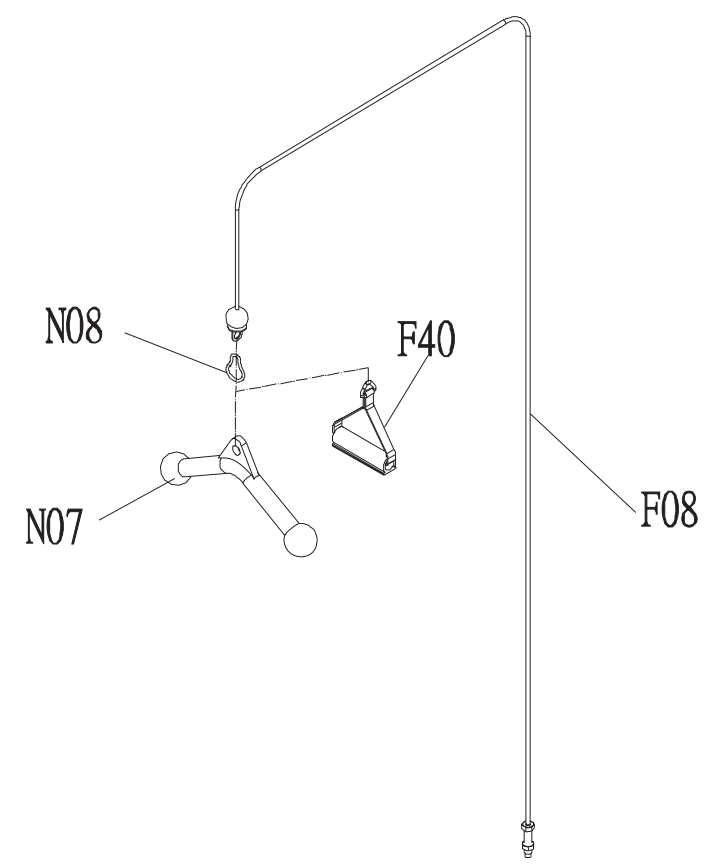
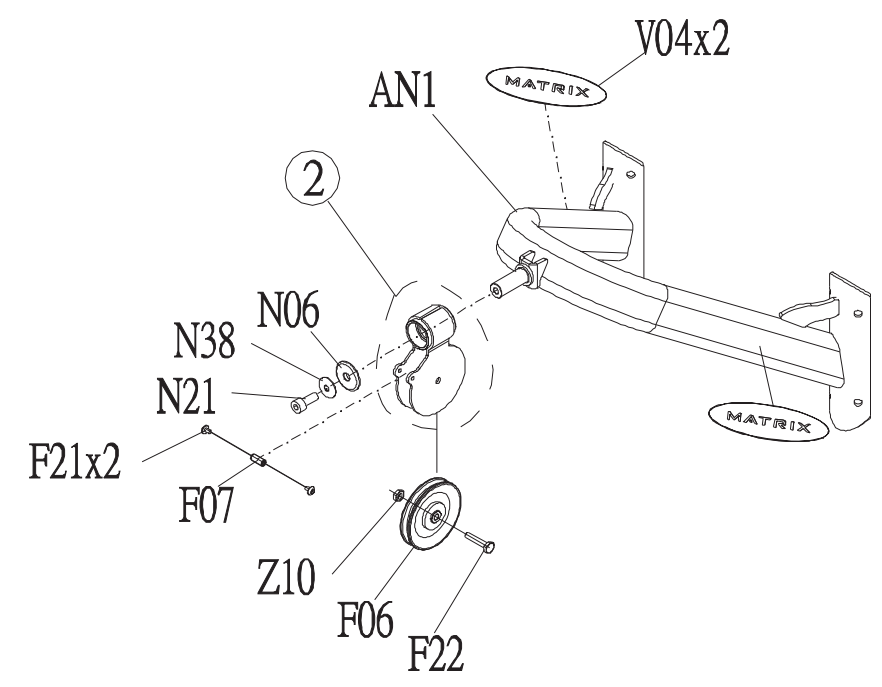
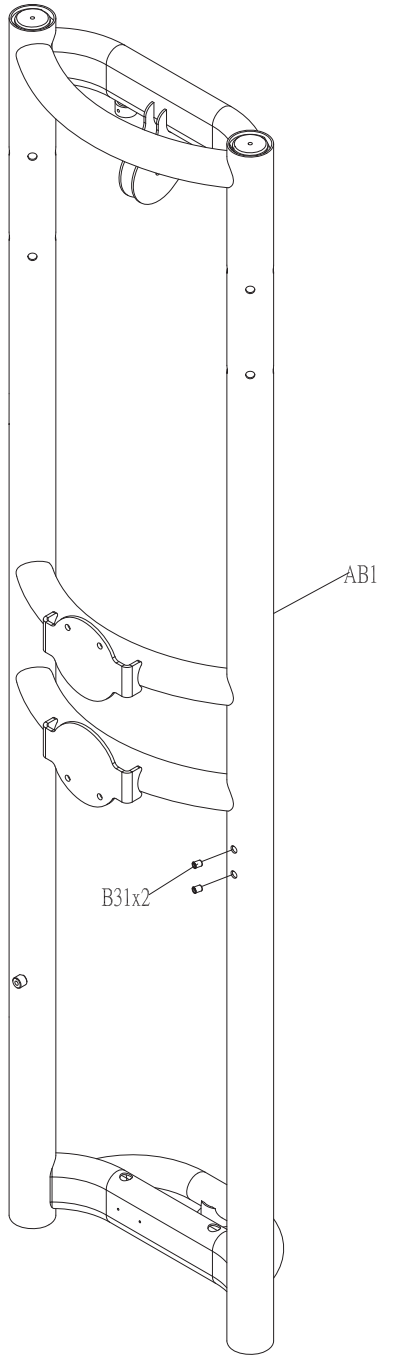


DRAWING NO			
PART NAME	FG Fabricate Set;MS52		
PART NO	1000330389	REV	B
APPROVE	Ares	DATE	20150409



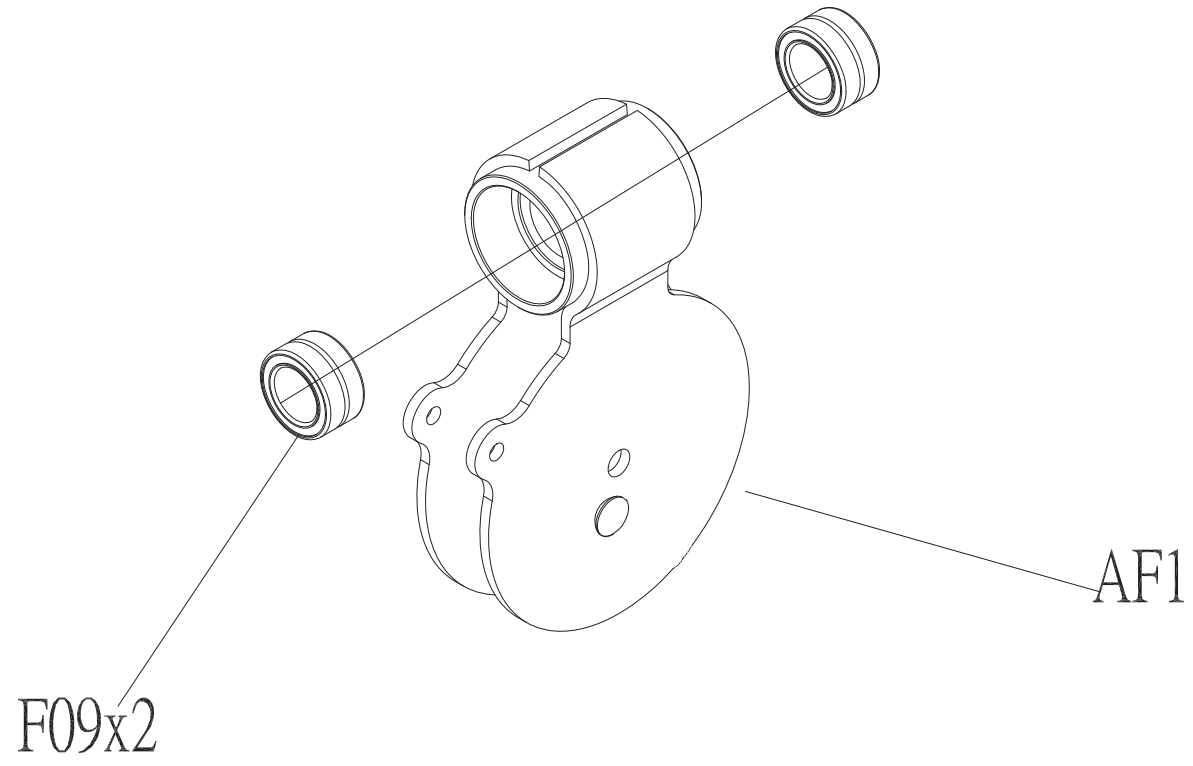
DRAWING NO			
PART NAME	Frame Set;Semi-Assy;MS52KM-G3		
PART NO	See chart	REV	A
APPROVE	Ares	DATE	06/25/14

Coulour	Part no.
Default	097478
Black Matte	1000320870
Iced Sliver	1000349149

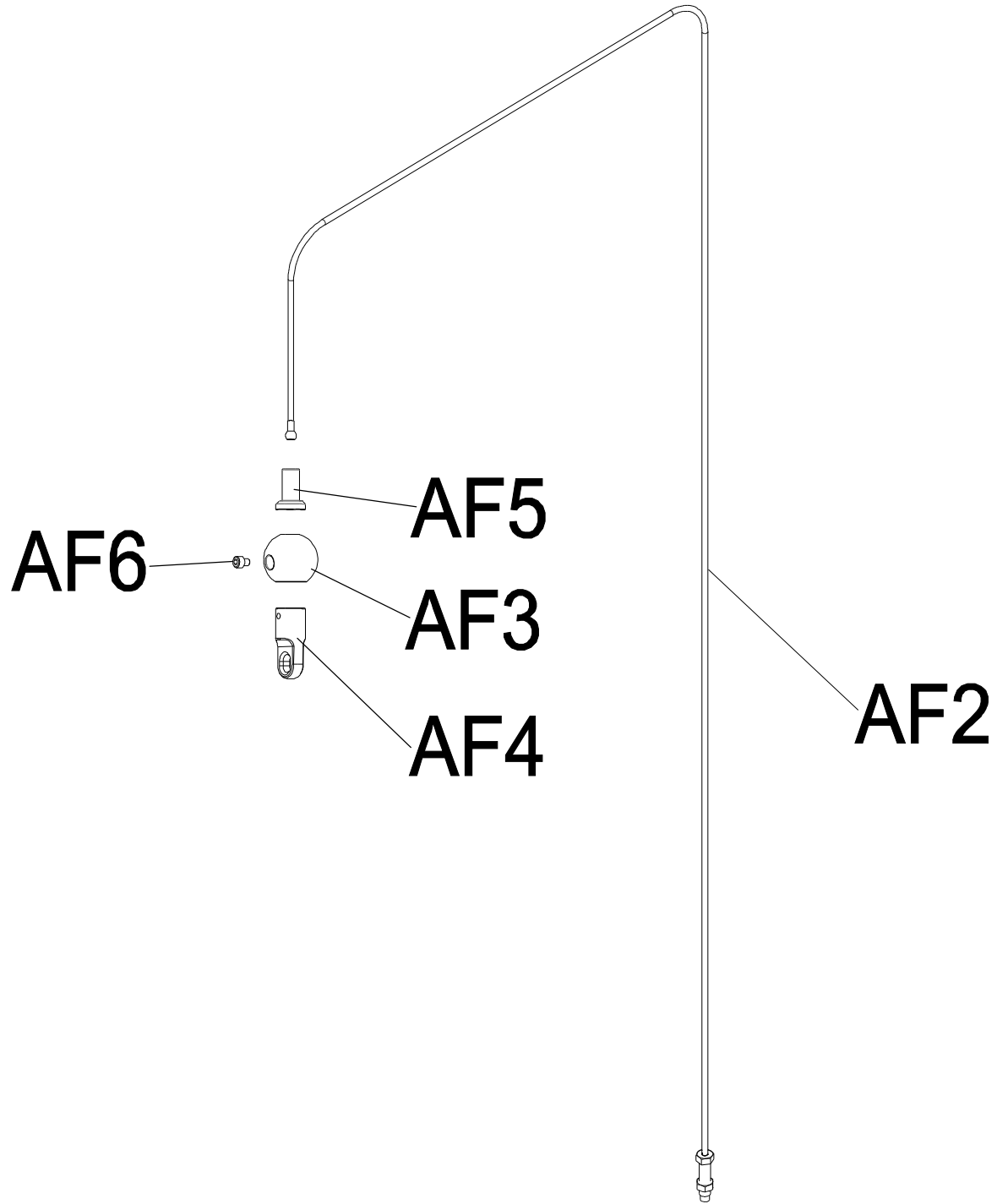


DRAWING NO			
PART NAME	Movable Pulley Fixing Set;MS53		
PART NO	See chart	REV	A
APPROVE	Ares	DATE	06/25/14

Coulour	Part no.
Default	1000349148
Black Matte	1000320868
Iced Sliver	089905



DRAWING NO	MS52-SF35		
PART NAME	Rendering;Steel Rope Unassembled;MS52		
PART NO	1000435409		REV A
APPROVE	Taoyongchun	DATE	12192018



Reference Number	Part #	Description	Notes
1	1000318313	Up Weight Plate Set-Exreawork;;;;;MS51;	
AB5	1000363588	Stopper set;Guide Rod;;painting;;;MS20;	
AF22	1000437392	Steel Rope Set;Assembly;right;Iced Silve	
AF23	1000437405	Steel Rope Set;Assembly;left;Iced Silver	
AF3	1000431432	Plastic Ball;Steel Rope;;PA66+GF30%;;;MS	
AF4	1000431435	Fix Block;Rop;;;Chrome;MS10;;	
AF5	1000431433	Protect Bushing;Steel Rope;;PU;BL/Black	
AF6	1000305873	Screw;Socket Head;M5X0.8PX6L;;Hex Socket	
AT2	015840-A	Grip Fix Set;R;Painting;MS53	
B18	000791-B	Water Bottle Holder	
B19	000510-D	Foot Pad;Rubber;76.2mm	
B20	000508-D	Foot Pad;Rubber;60mm	
B32	004694-AC	Screw;Hex Socket;Flat;M8x1.25Px10L	
B33	1000102893	Screw;Hex Socket;Flat;M8x1.25Px20L;Cr Pl	
C01	1000432968	Protect Bushing;;;NBR;;;MS53B;	
C01	1000422172	Protect Bushing;;;NBR;BL/Black C;;G3MS53	
F05	073573	Pulley; 115mm	
F06	1000371942	Swivel Axle-Exreawork;Pulley;;rigidity C	
F07	1000474133	Steel Rope Set;;;No Fix Block;Press Rope	Contains AF2, AF3, AF5.
F10	1000437147	Protected Plate;Stopper;L;SPHC;146.8x138	
F11	1000437143	Protected Plate;Stopper;Rt;SPHC;146.8x13	
F21	087955	Screw;BH;M6X1.0PX10L;;HS;;CHM;;BP	
F22	1000104720	Screw;HH;M10x1.5Px45L;P-T15L;CHM;BP;G8.8	
F23	004943-00	Nut;Nylon;M10x1.5P;Cr Plate;	
J01	1000210209	BACK PAD;-;PU;BLACK;-;	
K06	015943-AA	Weight Plate Set;15 Lbs;Dry Bearing	
K09	1000210975	GUIDE ROD 19X1970L S45C	
K10	1000372591	Adjustable Pin;Weight Plate;;42CrMo;Chro	
K13	1000102912	Circlip;External C Type;S-30;BED	
K15	1000105039	Pin;Spring;10X70;OXIDIZE	
K17	004720-AH	Screw;Hex Socket;Oval;M8X1.25PX20L	
K18	005040-00	Washer;Flat;Diam.8.5xDiam.19.0x1.5T;;Bla	

K19	1000104705	Screw;RND;M6x1.0Px15L;HS;CHM;BP;G8.8
K24	001508-E	Long Guide Rubber Plate;POM
K25	005847-A	Lanyard;Weight Selection Pin
K28	1000345425	Stopper Ring;Guide Rod;;;Chrome;GM41;;
L02	1000098481	Weight Plate, Incremental
L03	1000098483	Extrawork;Incremental Weight Plate Hook;
L04	000755-CA	Elastomer;Incremental Weight Plate
N38	005132-00	Washer;Flat;13x26x2.5T;Chromed
T12	1000403913	Stopper Block;Cam Stopper;;PU;;;GM120;
T13	1000437432	Pedal;Foot Pad;;painting;;Iced Sliver;MS
T20	1000413356	PEDAL;;;;;Iced Sliver;GM114;
T21	1000375594	Pulley Set;Steel Cable;;;;;Iced Sliver;MS
T22	089983	Grip;MS21KM-G3;
T23	009251-A	Grip;Both Hands
T24	1000380094	Karabiner Spring Snap;;9(45mmx90mm);Sta
T25	000538-CB	Foot Pad;Rear
T26	001402-A	End Cap;Round
T27	009256-A	Washer;Swivel Axle;;SS41;;;;;MS53 SS41
T28	1000432968	Protect Bushing;;;NBR;;;MS53B;
T29	004482-AB	Screw;Hex Socket;Round;M8x1.25Px20L;Cr
T30	1000398148	Cushion;Pedal;;NBR;Black;;GM114;
T46	004556-AB	Screw;Hex Socket;Round;M12x1.75Px25L;Cr;
T51	1000432964	Cushion;Foot Pad;down;NBR;;;MS53B;
T52	000926-A	Cap;Tube;PVC;FW91
V03	006611-E	Decal;Weight Plate;15LBS (Contains decals up to 295lbs)
V05	006652-C	Decal;Incremental Weight Plate
V06	006653-C	Decal;Weight Plate
V21	1000433112	Instructional Labe;;;PC;;English;MS53B
V22	1000109127	Decal;Pinch Point ;MS21KM-G3
V23	1000363760	Warning Label;Frame;;;PC;;English;GM40
V25	1000359953	Warning Label;Anti Falling Down;;;;;Engl
V36	1000402110	Warning Label;;40x40;;PC;;;COUNTER WEIGH
Z01 /	004535-AC	Screw;Hex Socket;Round;M8x1.25Px30L

Z02	020304-AC	Screw;Hex Socket;M10X1.5PX35L;Cr Plate	
Z03	020256-AD	Screw;BH;M5X0.8PX10L;;HS;;CHM;;	
Z03	020256-AD	Screw;BH;M5X0.8PX10L;;HS;;CHM;;	
Z05 /	004557-A	SCREW;SH;M6X1.0PX45L;;HS;;CHM;;	
Z06 /	004938-00	Nut;Nylon;M6X1.0P;Chromed	
Z07	1000417026	Screw;TH;M10x1.5Px25L;;Hex Socket;;Chrom	
Z09	1000346841	Stopper Plate;Bearing;;SPHC;?35.0x5.0T;;	
Z10 /	004555-AB	Screw;Hex Socket;Round;M10x1.5Px25L;Cr;A	
Z11 /	020465-AB	Washer;Flat;M10.2X25PX2.0T;Chromed	
Z13 /	004519-AE	Screw;Round;Hex Socket;M10x1.5Px80L	
Z14	001513-A	Rubber Block;Shock Absorb	
Z16	008523-B	Washer;Arc;M10x28x10.5T;SS41	
AB11	1000439165	Frame set;;;Iced Silver;MS53B;;Service	
AF2	1000434804	Steel Rope Set;;;F4.8x9378L;MS53;;Exclud	
AK1	1000317793	Top Weight Plate Set;;;painting;;;MS51;	
AT1	1000437423	Seat Set;;;painting;;Iced Sliver;MS53B;	
F07	1000435410	Rendering;;;Steel Rope Unassembled;;MS5	
Not Shown	1000433039	hardware set;;;MS53B;	
F07	1000431496	Steel Rope-Extrawork;;;Press Rope Hand;D	
K04	009641-F	Bayonet;Weight Plate;20 Aperture\\ Discontinued: Order top weight plate set instead	Discontinued